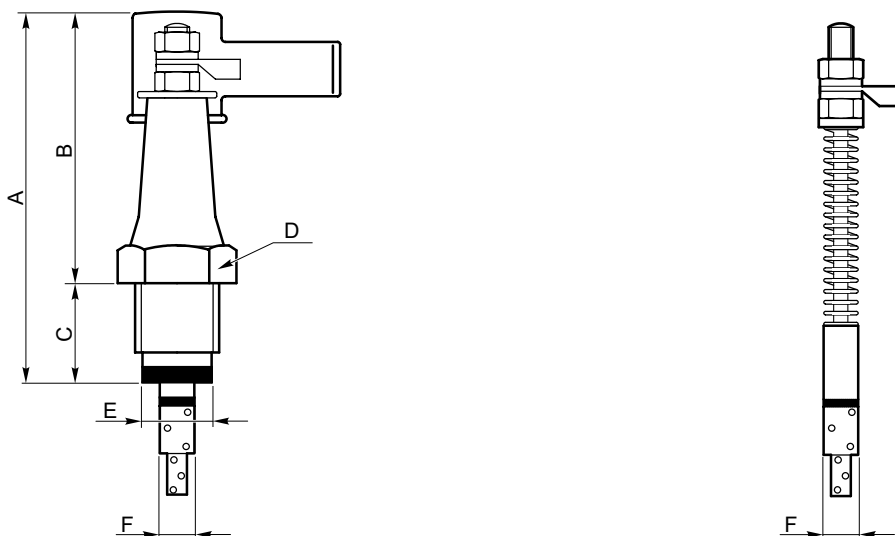


Portaspazzola e inserto per funzioni in olio

Brushes and insert for oil operation/Bürsten undensatz für ölbetrieb

PS1



DIMENSIONI/DIMENSIONS/ABMESSUNGEN

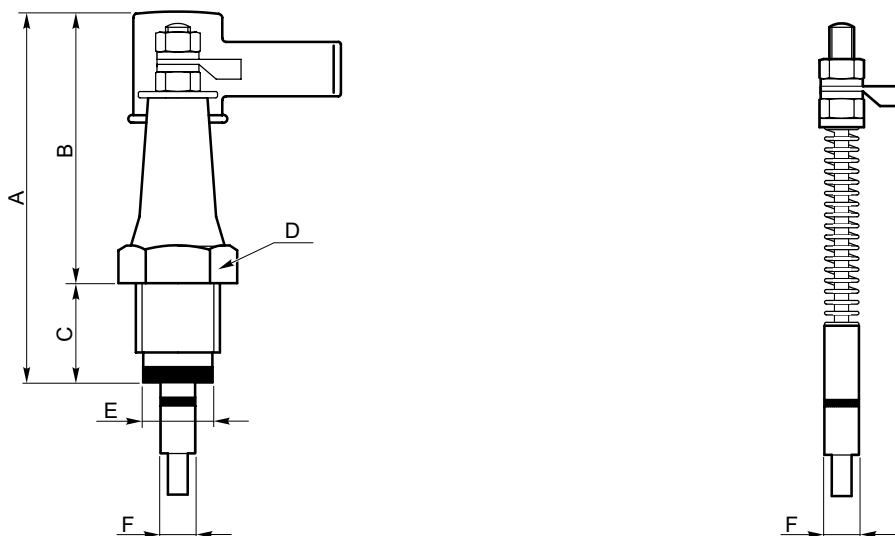
| SERIE SERIES SERIE | A | B | C | D | E | F |
|--------------------------|-----|----|----|----|---------|----|
| | mm | mm | mm | mm | | mm |
| PS1 4.14.14 | 50 | 40 | 12 | 17 | M14X1,5 | 4 |
| PS1 6.16.14 | 52 | 40 | 12 | 19 | M16x1,5 | 6 |
| PS1 8.18.20 | 60 | 40 | 18 | 22 | M18x1,5 | 8 |
| PS1 6.16.22 | 70 | 50 | 20 | 19 | M16x1,5 | 6 |
| PS1 6.18.22 | 70 | 50 | 20 | 22 | M18x1,5 | 6 |
| PS1 8.18.22 | 70 | 50 | 20 | 22 | M18x1,5 | 8 |
| PS1 6.16.30 | 78 | 50 | 28 | 19 | M16x1,5 | 6 |
| PS1 6.18.30 | 78 | 50 | 28 | 22 | M18x1,5 | 6 |
| PS1 8.18.30 | 78 | 50 | 28 | 22 | M18x1,5 | 8 |
| PS1 8.18.35 | 83 | 50 | 33 | 22 | M18x1,5 | 8 |
| PS1 6.18.40 | 88 | 50 | 38 | 22 | M18x1,5 | 6 |
| PS1 8.18.40 | 88 | 50 | 38 | 22 | M18x1,5 | 8 |
| PS1 6.18.50 | 98 | 50 | 48 | 22 | M18x1,5 | 6 |
| PS1 8.18.50 | 98 | 50 | 48 | 22 | M18x1,5 | 8 |
| PS1 6.18.60 | 108 | 50 | 58 | 22 | M18x1,5 | 6 |
| PS1 8.18.60 | 108 | 50 | 58 | 22 | M18x1,5 | 8 |
| PS1 6.18.70 | 118 | 50 | 68 | 22 | M18x1,5 | 6 |
| PS1 8.18.70 | 118 | 50 | 68 | 22 | M18x1,5 | 8 |
| PS1 6.18.80 | 128 | 50 | 78 | 22 | M18x1,5 | 6 |
| PS1 8.18.80 | 128 | 50 | 78 | 22 | M18x1,5 | 8 |
| PS1 6.18.90 | 138 | 50 | 88 | 22 | M18x1,5 | 6 |
| PS1 8.18.90 | 138 | 50 | 88 | 22 | M18x1,5 | 8 |
| PS1 6.18.100 | 148 | 50 | 98 | 22 | M18x1,5 | 6 |
| PS1 8.18.100 | 148 | 50 | 98 | 22 | M18x1,5 | 8 |

| SERIE SERIES SERIE | A | B | C | D | E | F |
|--------------------------|-----|----|----|----|---------|----|
| | mm | mm | mm | mm | | mm |
| S1 4.14.14 | 50 | 40 | 12 | 17 | M14X1,5 | 4 |
| S1 6.16.14 | 52 | 40 | 12 | 19 | M16x1,5 | 6 |
| S1 8.18.20 | 60 | 40 | 18 | 22 | M18x1,5 | 8 |
| S1 6.16.22 | 70 | 50 | 20 | 19 | M16x1,5 | 6 |
| S1 6.18.22 | 70 | 50 | 20 | 22 | M18x1,5 | 6 |
| S1 8.18.22 | 70 | 50 | 20 | 22 | M18x1,5 | 8 |
| S1 6.16.30 | 78 | 50 | 28 | 19 | M16x1,5 | 6 |
| S1 6.18.30 | 78 | 50 | 28 | 22 | M18x1,5 | 6 |
| S1 8.18.30 | 78 | 50 | 28 | 22 | M18x1,5 | 8 |
| S1 8.18.35 | 83 | 50 | 33 | 22 | M18x1,5 | 8 |
| S1 6.18.40 | 88 | 50 | 38 | 22 | M18x1,5 | 6 |
| S1 8.18.40 | 88 | 50 | 38 | 22 | M18x1,5 | 8 |
| S1 6.18.50 | 98 | 50 | 48 | 22 | M18x1,5 | 6 |
| S1 8.18.50 | 98 | 50 | 48 | 22 | M18x1,5 | 8 |
| S1 6.18.60 | 108 | 50 | 58 | 22 | M18x1,5 | 6 |
| S1 8.18.60 | 108 | 50 | 58 | 22 | M18x1,5 | 8 |
| S1 6.18.70 | 118 | 50 | 68 | 22 | M18x1,5 | 6 |
| S1 8.18.70 | 118 | 50 | 68 | 22 | M18x1,5 | 8 |
| S1 6.18.80 | 128 | 50 | 78 | 22 | M18x1,5 | 6 |
| S1 8.18.80 | 128 | 50 | 78 | 22 | M18x1,5 | 8 |
| S1 6.18.90 | 138 | 50 | 88 | 22 | M18x1,5 | 6 |
| S1 8.18.90 | 138 | 50 | 88 | 22 | M18x1,5 | 8 |
| S1 6.18.100 | 148 | 50 | 98 | 22 | M18x1,5 | 6 |
| S1 8.18.100 | 148 | 50 | 98 | 22 | M18x1,5 | 8 |

Portaspazzola e inserto per funzioni a secco

Brushes and insert for dry operation/Bürsten und einsatz für den trokentrieb

PS3



DIMENSIONI/DIMENSIONS/ABMESSUNGEN

| SERIE SERIES SERIE | A | B | C | D | E | F |
|--------------------------|-----|----|----|----|---------|----|
| | mm | mm | mm | mm | | mm |
| PS3 6.16.14 | 52 | 40 | 12 | 19 | M16x1,5 | 6 |
| PS3 6.16.22 | 70 | 50 | 20 | 22 | M16x1,5 | 6 |
| PS3 6.18.22 | 70 | 50 | 20 | 22 | M18x1,5 | 6 |
| PS3 8.18.22 | 70 | 50 | 20 | 22 | M18x1,5 | 8 |
| PS3 6.16.30 | 78 | 50 | 28 | 22 | M16x1,5 | 6 |
| PS3 8.18.30 | 78 | 50 | 28 | 22 | M18x1,5 | 8 |
| PS3 8.18.40 | 88 | 50 | 38 | 22 | M18x1,5 | 8 |
| PS3 8.18.50 | 98 | 50 | 48 | 22 | M18x1,5 | 8 |
| PS3 8.18.60 | 108 | 50 | 58 | 22 | M18x1,5 | 8 |
| PS1 8.18.70 | 118 | 50 | 68 | 22 | M18x1,5 | 8 |
| PS1 8.18.80 | 128 | 50 | 78 | 22 | M18x1,5 | 8 |
| PS1 8.18.90 | 138 | 50 | 88 | 22 | M18x1,5 | 8 |
| PS1 8.18.100 | 148 | 50 | 98 | 22 | M18x1,5 | 8 |

| SERIE SERIES SERIE | A | B | C | D | E | F |
|--------------------------|-----|----|----|----|---------|----|
| | mm | mm | mm | mm | | mm |
| S3 6.16.14 | 52 | 40 | 12 | 19 | M16x1,5 | 6 |
| S3 6.16.22 | 70 | 50 | 20 | 22 | M16x1,5 | 6 |
| S3 6.18.22 | 70 | 50 | 20 | 22 | M18x1,5 | 6 |
| S3 8.18.22 | 70 | 50 | 20 | 22 | M18x1,5 | 8 |
| S3 6.16.30 | 78 | 50 | 28 | 22 | M16x1,5 | 6 |
| S3 8.18.30 | 78 | 50 | 28 | 22 | M18x1,5 | 8 |
| S3 8.18.40 | 88 | 50 | 38 | 22 | M18x1,5 | 8 |
| S3 8.18.50 | 98 | 50 | 48 | 22 | M18x1,5 | 8 |
| S3 8.18.60 | 108 | 50 | 58 | 22 | M18x1,5 | 8 |
| S1 8.18.70 | 118 | 50 | 68 | 22 | M18x1,5 | 8 |
| S1 8.18.80 | 128 | 50 | 78 | 22 | M18x1,5 | 8 |
| S1 8.18.90 | 138 | 50 | 88 | 22 | M18x1,5 | 8 |
| S1 8.18.100 | 148 | 50 | 98 | 22 | M18x1,5 | 8 |